



Desisti®

International
• Patent •

LED

Fresnel
&
Softlight
Catalog
2014

LED Fresnel Standard Series.....4

- LED Magis 4.7..... 6
- LED Leonardo 6..... 7
- LED Leonardo Piccolo 6..... 8
- LED Leonardo 10..... 9
- Retrofit..... 10

LED Fresnel Super Series.....12

- Super LED F 4.7..... 14
- Super LED F 6..... 15
- Super LED Piccolo 6..... 16
- Super LED 10..... 17

LED Softlight Series.....18

- SoftLED 2..... 20
- SoftLED 4..... 21



*BSkyB Studios - UK
LED Fresnel Installation*

LED FRESNEL

STANDARD SERIES



LED Magis 4.7



LED Leonardo 6



LED Leonardo 10



LED Leonardo Piccolo 6



The De Sisti **LED FRESNEL STANDARD SERIES** is a high efficiency Fresnel spotlight using an innovative, high power Chip on Board (COB) LED Array in combination with the De Sisti internationally patented optical system.

The LED Fresnels offer a CRI greater than 90 and perfect chromacity performances.

The LED Fresnel offer flicker-free, direct DC DMX dimming control from 0 to 100%.

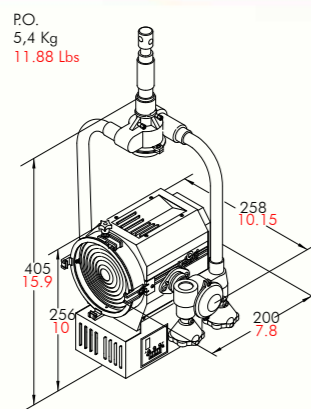
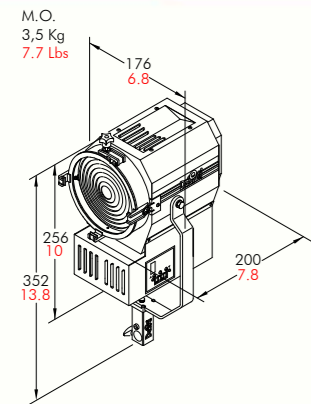
The LED Fresnels are available in Tungsten or Daylight balance CCT. 10° Spot to 55° Flood focusing range with excellent barn door control.

LED 4.7 Magis



LTV90 300.150 Manual Operated
LDV90 300.150 Manual Operated

LTV90 301.150 Pole Operated
LDV90 301.150 Pole Operated



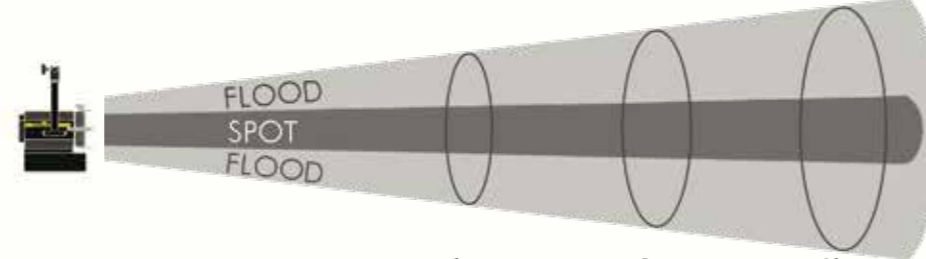
Photometric Data

Central Light intensity (Candle Power) Illumination center values at Distances
3.200°K TUNGSTEN BALANCED C.C.T. (Correlated Color Temperature) - 55W V90 (CRI Greater than 90)

	Central Light intensity (Candle Power)	3 m	5 m	10 m
FLOOD	6.291 cd	699 lux 65 FC	252 lux 23 FC	63 lux 6 FC
SPOT	27.000 cd	3.000 lux 279 FC	1.080 lux 100 FC	270 lux 25 FC

5.600°K DAYLIGHT BALANCED C.C.T. (Correlated Color Temperature) - 55W V90 (CRI Greater than 90)

	Central Light intensity (Candle Power)	3 m	5 m	10 m
FLOOD	6.804 cd	756 lux 70 FC	272 lux 25 FC	68 lux 6 FC
SPOT	29.529 cd	3.281 lux 305 FC	1.181 lux 110 FC	295 lux 27 FC



Light beam diameter with Beam Angle (50% of center value)

	Beam Angle	3 m	5 m	10 m
FLOOD	48,0°	2,67 mt 8.8 ft	4,45 mt 14.6 ft	8,90 mt 29.2 ft
SPOT	12,0°	0,63 mt 2.1 ft	1,05 mt 3.4 ft	2,10 mt 6.9 ft

Light beam diameter with Field Angle (10% of center value)

	Field Angle	3 m	5 m	10 m
FLOOD	69,0°	4,12 mt 13.5 ft	6,87 mt 22.5 ft	13,75 mt 45.1 ft
SPOT	22,0°	1,17 mt 3.8 ft	1,94 mt 6.4 ft	3,89 mt 12.8 ft

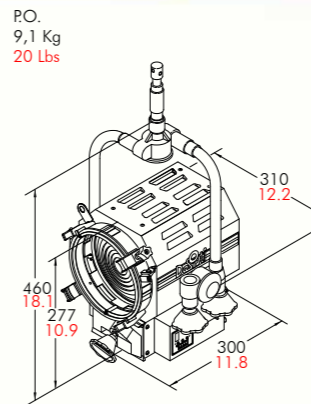
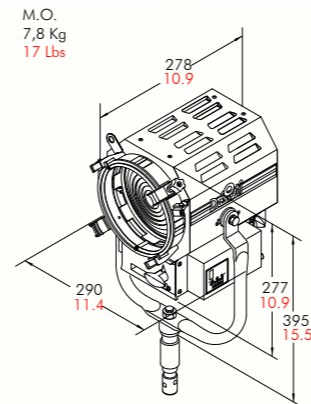
LUX AT ANY DISTANCE = Candle Power: [Distance(in m.)]² F.C. AT ANY DISTANCE = Candle Power: [Distance(in ft)]²

LED 6 Leonardo



LTV90 310.110 Manual Operated
LDV90 310.110 Manual Operated

LTV90 311.110 Pole Operated
LDV90 311.110 Pole Operated



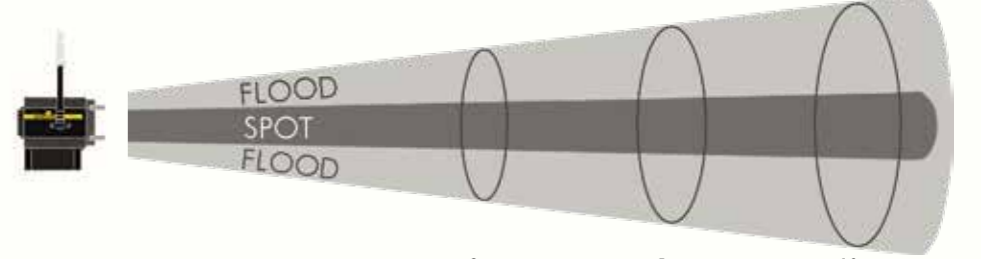
Photometric Data

Central Light intensity (Candle Power) Illumination center values at Distances
3.200°K TUNGSTEN BALANCED C.C.T. (Correlated Color Temperature) - 110W V90 (CRI Greater than 90)

	Central Light intensity (Candle Power)	3 m	5 m	10 m
FLOOD	7.830 cd	870 lux 81 FC	313 lux 29 FC	78 lux 7 FC
SPOT	38.520 cd	4.280 lux 398 FC	1.541 lux 143 FC	385 lux 36 FC

5.600°K DAYLIGHT BALANCED C.C.T. (Correlated Color Temperature) - 110W V90 (CRI Greater than 90)

	Central Light intensity (Candle Power)	3 m	5 m	10 m
FLOOD	8.712 cd	968 lux 90 FC	348 lux 32 FC	87 lux 8 FC
SPOT	40.707 cd	4.523 lux 420 FC	1.628 lux 151 FC	407 lux 38 FC



Light beam diameter with Beam Angle (50% of center value)

	Beam Angle	3 m	5 m	10 m
FLOOD	62,0°	3,61 mt 11.8 ft	6,01 mt 19.7 ft	12,02 mt 39.4 ft
SPOT	13,0°	0,68 mt 2.2 ft	1,14 mt 3.7 ft	2,28 mt 7.5 ft

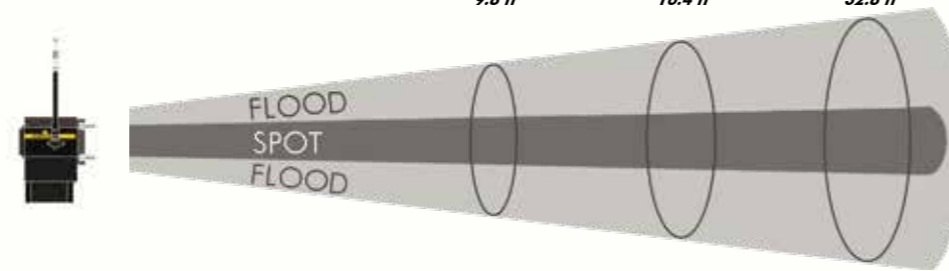
Light beam diameter with Field Angle (10% of center value)

	Field Angle	3 m	5 m	10 m
FLOOD	72,0°	4,36 mt 14.3 ft	7,27 mt 23.8 ft	14,53 mt 47.7 ft
SPOT	22,0°	1,17 mt 3.8 ft	1,94 mt 6.4 ft	3,89 mt 12.8 ft

LUX AT ANY DISTANCE = Candle Power: [Distance(in m.)]² F.C. AT ANY DISTANCE = Candle Power: [Distance(in ft)]²

Photometric Data

Central Light intensity (Candle Power)		Illumination center values at Distances			
3.200°K TUNGSTEN BALANCED C.C.T. (Correlated Color Temperature) - 150W V90 (CRI Greater than 90)					
FLOOD	8.856 cd	984 lux 91 FC	354 lux 33 FC	89 lux 8 FC	
SPOT	39.240 cd	4.360 lux 405 FC	1.570 lux 146 FC	392 lux 36 FC	
5.600°K DAYLIGHT BALANCED C.C.T. (Correlated Color Temperature) - 150W V90 (CRI Greater than 90)					
FLOOD	10.845 cd	1.205 lux 112 FC	434 lux 40 FC	108 lux 10 FC	
SPOT	48.366 cd	5.374 lux 499 FC	1.935 lux 180 FC	484 lux 45 FC	

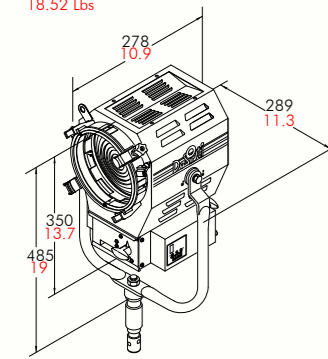


Light beam diameter with Beam Angle (50% of center value)		Beam Sizes		
		3 mt 9.8 ft	5 mt 16.4 ft	10 mt 32.8 ft
FLOOD	62,0°	3,61 mt 11.8 ft	6,01 mt 19.7 ft	12,02 mt 39.4 ft
SPOT	14,0°	0,74 mt 2.42 ft	1,23 mt 4.03 ft	2,46 mt 8.06 ft

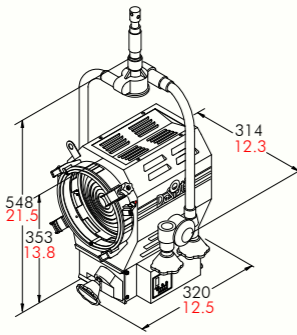
Light beam diameter with Field Angle (10% of center value)				
FLOOD	72,0°	4,36 mt 14.3 ft	7,27 mt 23.8 ft	14,53 mt 47.7 ft
SPOT	23,0°	1,22 mt 4.0 ft	2,03 mt 6.67 ft	4,07 mt 13.35 ft

LUX AT ANY DISTANCE = Candle Power: [Distance(in m.)]² F.C. AT ANY DISTANCE = Candle Power: [Distance(in ft)]²

M.O.
8,40 Kg
18.52 Lbs



P.O.
11 Kg
24.25 Lbs

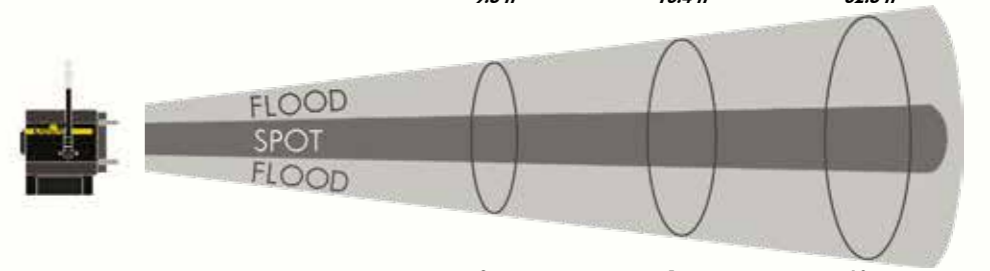


LTV90 370.110 Manual Operated LDV90 370.110 Manual Operated

LTV90 371.110 Pole Operated LDV90 371.110 Pole Operated

Photometric Data

Central Light intensity (Candle Power)		Illumination center values at Distances			
3.200°K TUNGSTEN BALANCED C.C.T. (Correlated Color Temperature) - 150W V90 (CRI Greater than 90)					
FLOOD	9.585 cd	1.065 lux 99 FC	383 lux 36 FC	96 lux 9 FC	
SPOT	92.241 cd	10.249 lux 952 FC	3.690 lux 343 FC	922 lux 86 FC	
5.600°K DAYLIGHT BALANCED C.C.T. (Correlated Color Temperature) - 150W V90 (CRI Greater than 90)					
FLOOD	9.936 cd	1.104 lux 103 FC	397 lux 37 FC	99 lux 9 FC	
SPOT	96.300 cd	10.700 lux 994 FC	3.852 lux 358 FC	963 lux 89 FC	



Light beam diameter with Beam Angle (50% of center value)		Beam Sizes		
		3 mt 9.8 ft	5 mt 16.4 ft	10 mt 32.8 ft
FLOOD	65,0°	3,82 mt 12.5 ft	6,37 mt 20.9 ft	12,74 mt 41.8 ft
SPOT	11,0°	0,58 mt 1.9 ft	0,96 mt 3.2 ft	1,93 mt 6.3 ft

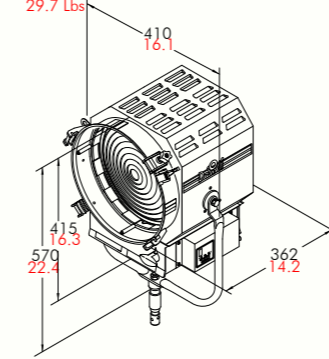
Light beam diameter with Field Angle (10% of center value)				
FLOOD	81,0°	5,12 mt 16.8 ft	8,54 mt 28.0 ft	17,08 mt 56.0 ft
SPOT	18,0°	0,95 mt 3.1 ft	1,58 mt 5.2 ft	3,17 mt 10.4 ft

LUX AT ANY DISTANCE = Candle Power: [Distance(in m.)]² F.C. AT ANY DISTANCE = Candle Power: [Distance(in ft)]²

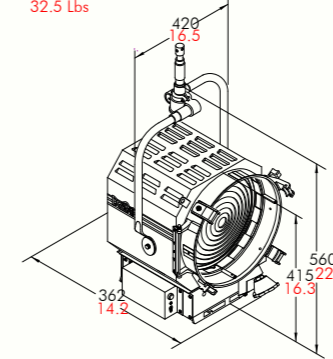
LTV90 320.110 Manual Operated LDV90 320.110 Manual Operated

LTV90 321.110 Pole Operated LDV90 321.110 Pole Operated

M.O.
13,5 Kg
29.7 Lbs



P.O.
14,8 Kg
32.5 Lbs



LED Retrofit Kit

for Leonardo 1kW



for Leonardo 2kW



*The EZ-4S includes the bottom housing with the preassembled LED system. The EZ-4S does not require any additional electrical terminations or mechanical modifications.

The EZ-4S System
remove 4 screws (4S)
and reinstall the EZ-4S Retrofit Kit*



De Sisti LED Fresnels – Lighting quality first

When choosing a FRESNEL you are expecting:

- Appropriate and effective Focusing Range from Spot to Flood
 - Single shadows and their consistency within the Flood Field
 - Even and wide Flood with appropriate Barn-door capability
- This is exactly what you get with the DE SISTI LED FRESNELS.

The Internationally Patented Optical system specifically developed by DE SISTI to optimize the use of a LED Engine Technology in combination with a Fresnel Lens (or a Plano Convex) is providing to the DE SISTI LED FRESNELS the exact same lighting projection you would expect from a Standard Fresnel.

LED Lighting, Green Energy

These LED based products introduce Energy Savings bigger than 92%. LEDs light bulbs last longer, are more durable - 25 times longer, than incandescent lighting - and offer comparable or better light quality than other types of lighting. Dimmable LEDs also allow an outstanding color temperature choices and longevity that extends over decades.

Led Fixture by De Sisti Exact Fresnel Performances



The Beam in full flood is LARGE (above 60°), even and flat (No Hot Spots and rapid passage from Beam to Field Angle)



The Barndoor on the DE SISTI LED FRESNEL has exactly the same functionality obtained with a PROPER FRESNEL optics

LED FRESNEL SUPER SERIES

Super LED F 4.7



Super LED F 6



Super LED Piccolo F 6



Super LED F 10

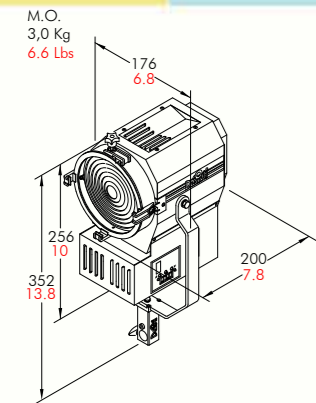


The De Sisti **LED Fresnel SUPER SERIES** is a new range of Fresnel spotlights that utilizes an increased wattage to the high power Chip on Board (COB) LED Array in combination with increased design efficiency to the De Sisti internationally patented optical system. The Super Series has light output increases up to 50% in Tungsten CCT and 72% in Daylight CCT while maintaining the greater than 90 CRI, chromacity performances and equivalent focus range of the Standard Series.

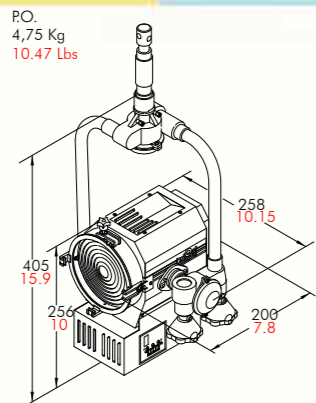
Super LED F 4.7



F4.7T.MO Manual Operated
F4.7D.MO Manual Operated

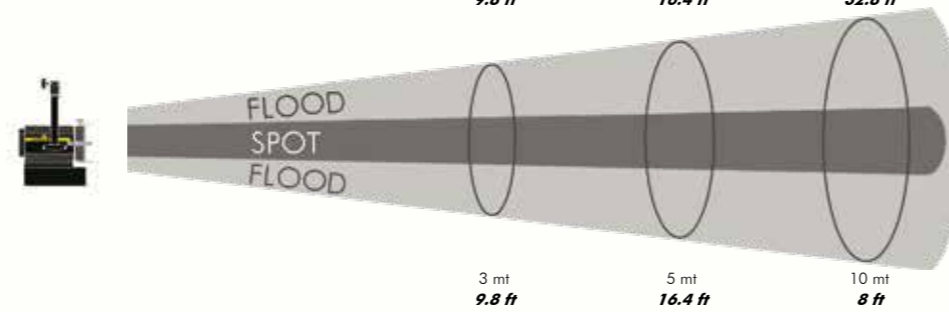


F4.7T.PO Pole Operated
F4.7D.PO Pole Operated



Photometric Data

Central Light intensity (Candle Power)		Illumination center values at Distances			
3.200°K TUNGSTEN BALANCED C.C.T. (Correlated Color Temperature) - 60W (CRI 92)					
FLOOD	7965 cd	885 lux 82 FC	319 lux 30 FC	80 lux 7 FC	
SPOT	32.220 cd	3.580 lux 333 FC	1.289 lux 120 FC	322 lux 30 FC	
5.600°K DAYLIGHT BALANCED C.C.T. (Correlated Color Temperature) - 60W (CRI 95)					
FLOOD	8.010 cd	890 lux 83 FC	320 lux 30 FC	80 lux 7 FC	
SPOT	33.300 cd	3.700 lux 344 FC	1.332 lux 124 FC	333 lux 31 FC	



Light beam diameter with Beam Angle (50% of center value)		Beam Sizes		
FLOOD	41,0°	2,24mt 7.4 ft	3,74 mt 12.3 ft	7,48 mt 24.5 ft
SPOT	12,0°	0,63 mt 2.1 ft	1,05 mt 3.4 ft	2,10 mt 6.9 ft

Light beam diameter with Field Angle (10% of center value)				
FLOOD	64,0°	3,75 mt 12.3 ft	6,25 mt 20.5 ft	12,50 mt 41.0 ft
SPOT	22,0°	1,17 mt 3.8 ft	1,94 mt 6.4 ft	3,89 mt 12.8 ft

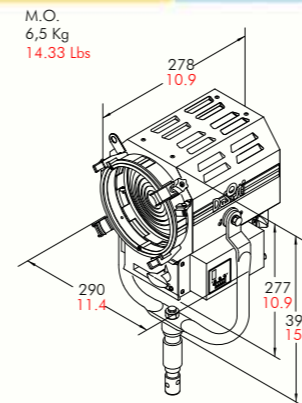
LUX AT ANY DISTANCE = Candle Power: [Distance(in m.)]²

FC. AT ANY DISTANCE = Candle Power: [Distance(in ft)]²

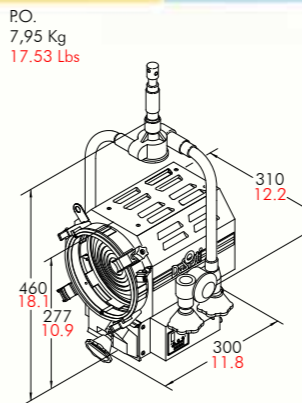
Super LED F 6



F6T.MO Manual Operated
F6D.MO Manual Operated

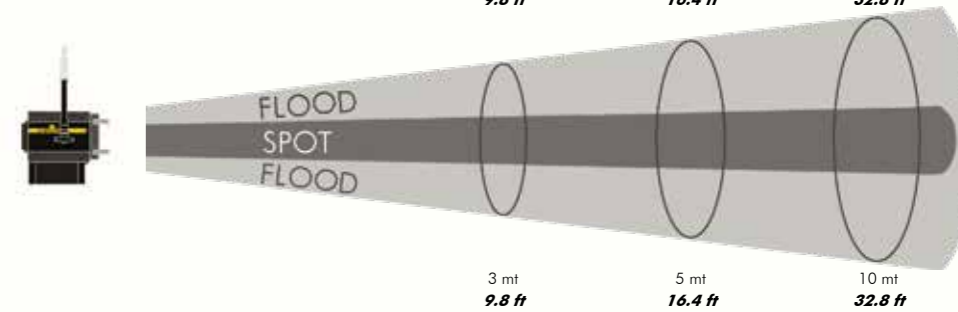


F6T.PO Pole Operated
F6D.PO Pole Operated



Photometric Data

Central Light intensity (Candle Power)		Illumination center values at Distances			
3.200°K TUNGSTEN BALANCED C.C.T. (Correlated Color Temperature) - 120W (CRI 92)					
FLOOD	10.944 cd	1.216 lux 113 FC	438 lux 41 FC	109 lux 10 FC	
SPOT	40.194 cd	4.466 lux 415 FC	1.608 lux 149 FC	402 lux 37 FC	
5.600°K DAYLIGHT BALANCED C.C.T. (Correlated Color Temperature) - 120W (CRI 92)					
FLOOD	13.824 cd	1.536 lux 143 FC	553 lux 51 FC	138 lux 13 FC	
SPOT	49.536 cd	5.504 lux 511 FC	1.981 lux 184 FC	495 lux 46 FC	



Light beam diameter with Beam Angle (50% of center value)		Beam Sizes		
FLOOD	53,0°	2,99 mt 9.8 ft	4,99 mt 16.4 ft	9,97 mt 32.7 ft
SPOT	13,0°	0,68 mt 2.2 ft	1,14 mt 3.7 ft	2,28 mt 7.5 ft

Light beam diameter with Field Angle (10% of center value)				
FLOOD	69,0°	4,12 mt 13.5 ft	6,87 mt 22.5 ft	13,75 mt 45.1 ft
SPOT	22,0°	1,17 mt 3.8 ft	1,94 mt 6.4 ft	3,89 mt 12.8 ft

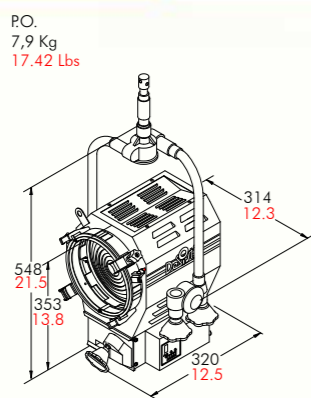
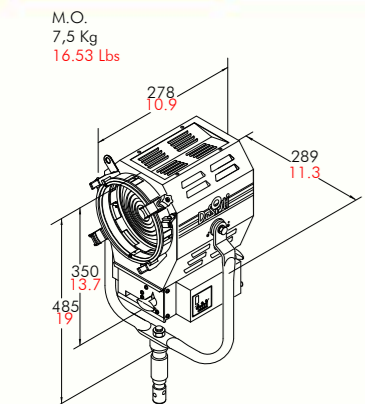
LUX AT ANY DISTANCE = Candle Power: [Distance(in m.)]²

FC. AT ANY DISTANCE = Candle Power: [Distance(in ft)]²



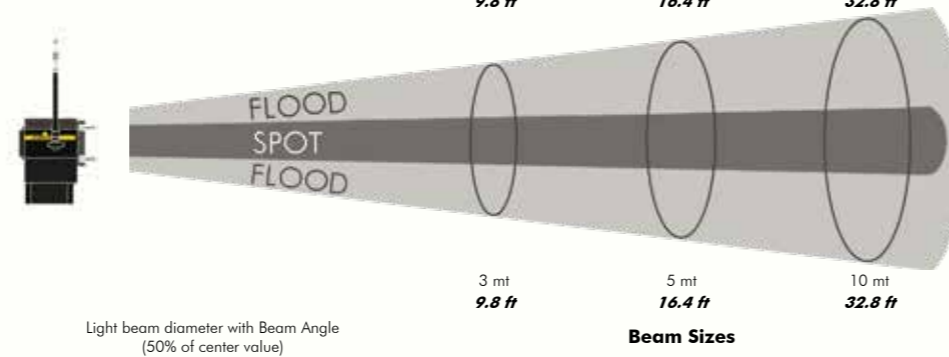
F6PicT.MO Manual Operated
F6PicD.MO Manual Operated

F6PicT.PO Pole Operated
F6PicD.PO Pole Operated



Photometric Data

Central Light intensity (Candle Power)		Illumination center values at Distances			
3.200°K TUNGSTEN BALANCED C.C.T. (Correlated Color Temperature) - 150W (CRI 92)					
FLOOD	13.788 cd	1.532 lux 142 FC	552 lux 51 FC	138 lux 13 FC	
SPOT	47.052 cd	5.228 lux 486 FC	1.882 lux 175 FC	471 lux 44 FC	
5.600°K DAYLIGHT BALANCED C.C.T. (Correlated Color Temperature) V90 (CRI Greater than 90)					
FLOOD	16.317 cd	1.813 lux 168 FC	653 lux 61 FC	163 lux 15 FC	
SPOT	55.197 cd	6.133 lux 570 FC	2.208 lux 205 FC	552 lux 5145 FC	



Light beam diameter with Beam Angle (50% of center value)		Beam Sizes		
FLOOD	53,0°	2,99 mt 9.8 ft	4,99 mt 16.4 ft	9,97 mt 32.7 ft
SPOT	13,0°	0,68 mt 2.2 ft	1,14 mt 3.7 ft	2,28 mt 7.5 ft

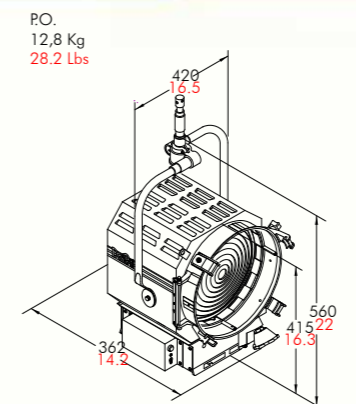
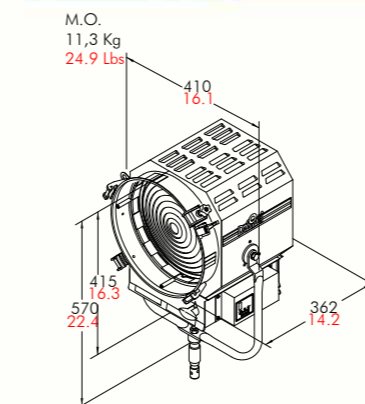
Light beam diameter with Field Angle (10% of center value)				
FLOOD	69,0°	4,12 mt 13.5 ft	6,87 mt 22.5 ft	13,75 mt 45.1 ft
SPOT	22,0°	1,17 mt 3.8 ft	1,94 mt 6.4 ft	3,89 mt 12.8 ft

LUX AT ANY DISTANCE = Candle Power: [Distance(in m.)]² F.C. AT ANY DISTANCE = Candle Power: [Distance(in ft)]²



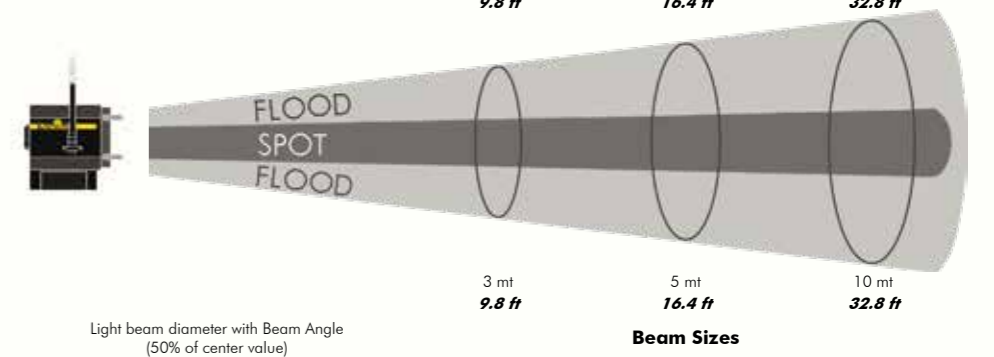
F10T.MO Manual Operated
F10D.MO Manual Operated

F10T.PO Pole Operated
F10D.PO Pole Operated



Photometric Data

Central Light intensity (Candle Power)		Illumination center values at Distances			
3.200°K TUNGSTEN BALANCED C.C.T. (Correlated Color Temperature) - 165W (CRI 92)					
FLOOD	13.419 cd	1.491 lux 139 FC	537 lux 50 FC	134 lux 12 FC	
SPOT	105.930 cd	11.770 lux 1.093 FC	4.237 lux 394 FC	1.059 lux 98 FC	
5.600°K DAYLIGHT BALANCED C.C.T. (Correlated Color Temperature) - 165W (CRI 92)					
FLOOD	17.064 cd	1.896 lux 176 FC	683 lux 63 FC	171 lux 16 FC	
SPOT	124.785 cd	13.865 lux 1,288 FC	4.991 lux 464 FC	1.248 lux 116 FC	



Light beam diameter with Beam Angle (50% of center value)		Beam Sizes		
FLOOD	55,0°	3,12 mt 10.2 ft	5,21 mt 17.1 ft	10,41 mt 34.2 ft
SPOT	12,0°	0,63 mt 2.1 ft	1,05 mt 3.4 ft	2,10 mt 6.9 ft

Light beam diameter with Field Angle (10% of center value)				
FLOOD	76,0°	4,69 mt 15.4 ft	7,81 mt 25.6 ft	15,63 mt 51.3 ft
SPOT	22,0°	1,17 mt 3.8 ft	1,94 mt 6.4 ft	3,89 mt 12.8 ft

LUX AT ANY DISTANCE = Candle Power: [Distance(in m.)]² F.C. AT ANY DISTANCE = Candle Power: [Distance(in ft)]²

LED SOFTLIGHT SERIES



Soft LED 2



Soft LED 4



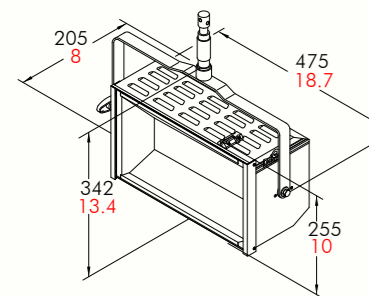
The De Sisti **LED Softlight SERIES** is a new range of LED Softlights utilizing the Remote Phosphor technology (CRI greater than 97) with a LED color mixing chamber within the instrument to produce a smooth, even, soft beam projection, with very diffused shadow. The optical system eliminates any pixel effect which is created by all Panel type lights. The LED Softlight is ideal for multiple camera set ups and is available with various honeycomb control screens and intensifier options for extra control. All of the electronics are integrated within the fixture and feature DC DMX dimming control from 0 to 100% with zero flicker even with high speed cameras.

Soft LED₂



LT4660	LD4660
Manual Operated	Manual Operated

M.O.
5,2 Kg
11.46 Lbs



Photometric Data



C.C.T. (Correlated Color Temperature) balanced to match 3.200°K TUNGSTEN LAMPS - 75W (CRI 97)
Illumination center values at the following distances

	2 mt 6.6 ft	3 mt 9.8 ft	5 mt 16.4 ft
SL2 Tungsten w/o Front Accessories	671 lux	298 lux	107 lux
Central Light intensity (Candle Power)	2.682 cd	62 FC	28 FC
SL2 Tungsten with Intensifier	884 lux	393 lux	141 lux
Central Light intensity (Candle Power)	3.535 cd	82 FC	36 FC
SL2 Tungsten with Medium Black H.Comb	573 lux	254 lux	92 lux
Central Light intensity (Candle Power)	2.290 cd	53 FC	24 FC

C.C.T. (Correlated Color Temperature) balanced to match 5.600°K DAYLIGHT LAMPS - 75W (CRI 96)
Illumination center values at the following distances

	2 mt 6.6 ft	3 mt 9.8 ft	5 mt 16.4 ft
SL2 Daylight w/o Front Accessories	734 lux	326 lux	117 lux
Central Light intensity (Candle Power)	2.934 cd	68 FC	30 FC
SL2 Daylight with Intensifier	967 lux	430 lux	155 lux
Central Light intensity (Candle Power)	3.867 cd	90 FC	40 FC
SL2 Daylight with Medium Black H.Comb	626 lux	278 lux	100 lux
Central Light intensity (Candle Power)	2.506 cd	58 FC	26 FC

BEAM COVERAGE ON SOFT LED 2 - 75W

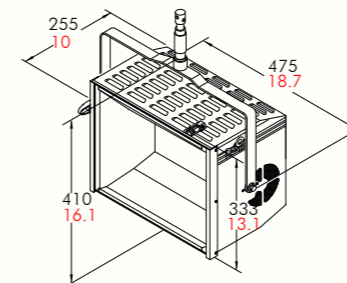
Light beam Width with Beam Angle w/o accessories	87,0°	3,80 mt 12.5 ft	5,69 mt 18.7 ft	9,49 mt 31.1 ft
Light beam Height with Beam Angle w/o accessories	83,0°	3,54 mt 11.6 ft	5,31 mt 17.4 ft	8,85 mt 29.0 ft
Light beam Width with Beam Angle with Medium Black H.Comb	45,0°	1,66 mt 5.4 ft	2,49 mt 8.2 ft	4,14 mt 13.6 ft
Light beam Height with Beam Angle with Medium Black H.Comb	44,0°	1,62 mt 5.3 ft	2,42 mt 8.0 ft	4,04 mt 13.3 ft

Soft LED₄



LT4670	LD4670
Manual Operated	Manual Operated

M.O.
7,2 Kg
15.87 Lbs



Photometric Data



C.C.T. (Correlated Color Temperature) balanced to match 3.200°K TUNGSTEN LAMPS - 150W (CRI 97)
Illumination center values at the following distances

	2 mt 6.6 ft	3 mt 9.8 ft	5 mt 16.4 ft
SL4 Tungsten w/o Front Accessories	1.240 lux	551 lux	198 lux
Central Light intensity (Candle Power)	4.959 cd	115 FC	51 FC
SL4 Tungsten with Intensifier	1.634 lux	726 lux	261 lux
Central Light intensity (Candle Power)	6.536 cd	152 FC	67 FC
SL4 Tungsten with Medium Black H.Comb	1.059 lux	471 lux	169 lux
Central Light intensity (Candle Power)	4.235 cd	98 FC	44 FC

C.C.T. (Correlated Color Temperature) balanced to match 5.600°K DAYLIGHT LAMPS - 150W (CRI 96)
Illumination center values at the following distances

	2 mt 6.6 ft	3 mt 9.8 ft	5 mt 16.4 ft
SL4 Daylight w/o Front Accessories	1.418 lux	630 lux	227 lux
Central Light intensity (Candle Power)	5.670 cd	132 FC	59 FC
SL4 Daylight with Intensifier	1.868 lux	830 lux	299 lux
Central Light intensity (Candle Power)	7.473 cd	174 FC	77 FC
SL4 Daylight with Medium Black H.Comb	1.211 lux	538 lux	194 lux
Central Light intensity (Candle Power)	4.842 cd	112 FC	50 FC

BEAM COVERAGE ON SOFT LED 4 - 150W

Light beam Width with Beam Angle w/o accessories	87,0°	W	3,80 mt 12.5 ft	5,69 mt 18.7 ft	9,49 mt 31.1 ft
Light beam Height with Beam Angle w/o accessories	83,0°	H	3,54 mt 11.6 ft	5,31 mt 17.4 ft	8,85 mt 29.0 ft
Light beam Width with Beam Angle with Medium Black H.Comb	45,0°	W	1,66 mt 5.4 ft	2,49 mt 8.2 ft	4,14 mt 13.6 ft
Light beam Height with Beam Angle with Medium Black H.Comb	44,0°	H	1,62 mt 5.3 ft	2,42 mt 8.0 ft	4,04 mt 13.3 ft



Rai Sport Studio - Italy
LED Fresnel Installation

LED Catalog

Desisti®

ITALY

ILT Italy S.r.l.
Tel. +39-06-902901
Fax +39-06-90231051
desisti@desisti.it

GERMANY

De Sisti Lighting GmbH
Tel. +49-6131-5063-0
Fax +49-6131-5063200
info@desisti.de

SPAIN

Desiberica S.A.
Tel. +34-91-304-6617
Fax +34-91-304-9201
jgines@desiberica-desisti.com

USA

Desmar Corporation
Tel. +1-908-317-0020
Fax +1-908-317-0021
desisti@desistiusa.com

ASIA

Desisti Asia PTE Ltd
Tel. +65-6745-1811
Fax +65-6844-3633
info@desisti.tv

MEXICO

De Sisti Mexico S.A. de C.V.
Tel. +52-55-5580-3919
Fax +52-55-1668-5131
desisti@desistimexico.com

www.desisti.it

